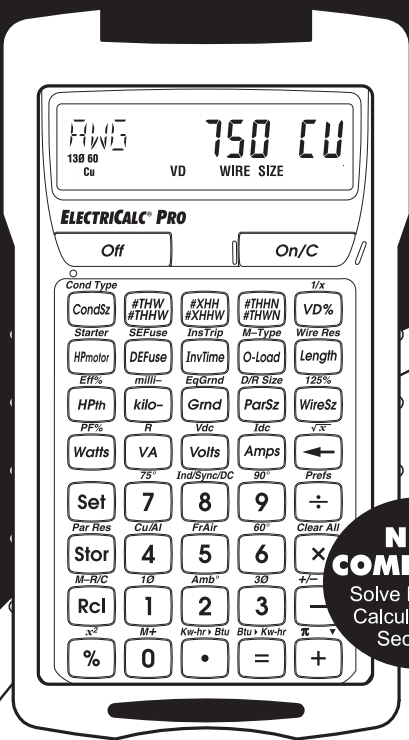


# ELECTRICAL<sup>®</sup> PRO

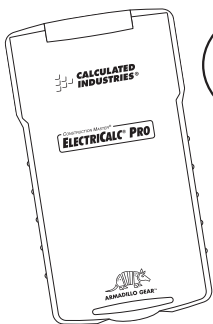
FULLY UPDATEABLE ELECTRICAL CODE CALCULATOR



Model 5070

## Calculator Features:

- Wire Sizes
- Integrated Voltage Drop
- Conduit Sizing
- Motor Full-Load AMPs
- Fuse and Breaker Sizes
- Parallel and Derated Wire Sizing
- Service and Equipment Grounding Conductor Sizes



Protective hard case with soft-grip and tough 360° flip-top cover

**NEC<sup>®</sup> COMPLIANT**  
Solve Electrical Calculations in Seconds!

Electrical Code Calculator Compliant with 2017, 2014, 2011, 2008, 2005, 2002, 1999 and 1996 NEC<sup>®</sup>

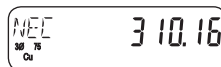
Electrical Contractors • Designers • Engineers • Electricians • Maintenance Inspectors • Planners • Builders • Lighting Specialists



Wire Sizes, Integrated Voltage Drop, Conduit Sizing



Motor Full-Load AMPs, Fuse and Breaker Sizes



NEC<sup>®</sup> Tables Show for Wire Size Calculations



Service and Equipment Grounding Conductor Sizes

The *ElectriCalc Pro* is the world's most complete Code-based electrical calculator. Solve electrical calculations in seconds; answers conform to current NEC<sup>®</sup>. It's a complete electrical reference tool that will save time and money. *Update to future code revisions with an easy-to-install kit.*

**Wire Types** — Calculates wires in Raceways and cross-sectional wire areas.

**Conduit Size** — Find conduit sizes based on total area of entered wire types and sizes.

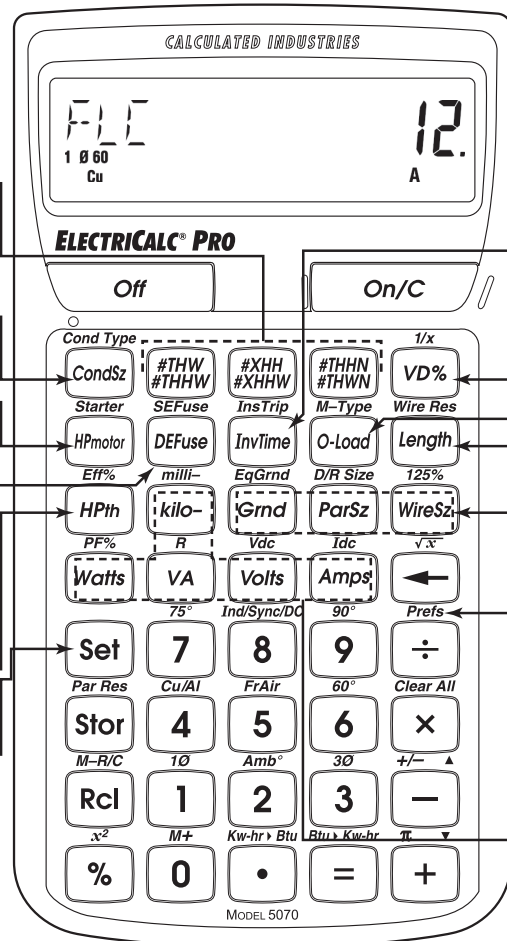
**HP Motor** — Enters or calculates motor horsepower.

**Dual Element Fuse** — Calculates minimum amp rating for Dual Element Fuse, full-load current percent multiplier.

**HP Theoretical** — Enters or calculates theoretical horsepower.

**Set** — Accesses secondary functions.

*Includes a rugged, shock, dust and moisture resistant Armadillo Gear case.*



**Inverse Time** — Calculates the minimum amp rating for an Inverse Time Breaker.

**Voltage Drop** — Enters or calculates voltage drop and actual percentage.

**Overload** — Displays the overload amperage based on the full-load current on motor nameplate.

**Length** — Enters or calculates the length of a run for voltage drop calculation.

**Wire Sizes** — Enters or calculates wire sizes based on ampacity and voltage drop for Ground, Derated, Parallel and Motor, etc.

**Preferences** — Used to set default settings or modes, including NEC Code Year.

**Electrical Units** — Enters or solves electrical values.

**Dedicated Keys and Functions Make It Easy To Use!**

National Electrical Code<sup>®</sup> and NEC<sup>®</sup> are registered trademarks of the National Fire Protection Association, Inc., Quincy, MA 02269.

**CALCULATED INDUSTRIES<sup>®</sup>**

4840 Hytech Drive  
Carson City, NV 89706  
1-800-854-8075

Visit our website at:  
[www.calculated.com](http://www.calculated.com)